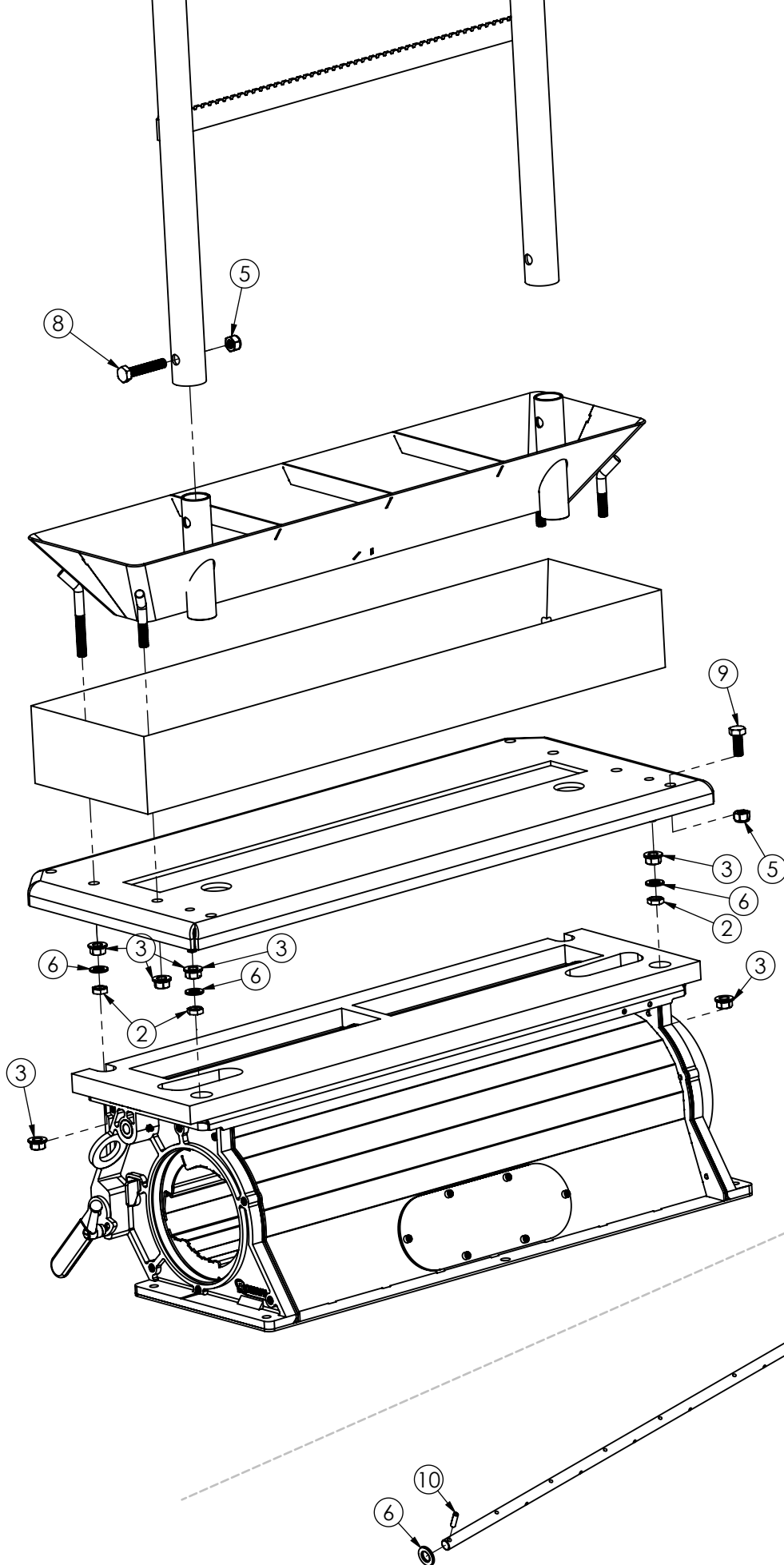


JASKITUPR1 Upper Hardware Kit & Installation Instructions

ITEM NO.	PART NUMBER	DESCRIPTION	QTY.
1	JAS0294P	Meter Roll Drive [A86502]	1
2	SMNK-12-1-3	M12 SS Hex Jam Nut	4
3	SMNA-12-1.75-3	M12-1.75 Serrated Flange Nut SS	10
4	SMNN-06-1.0-3	M6-1.0mm SS Nylon Lock Nut	1
5	SMNN-12-1.75-3	M12-1.75mm Nylon Lock Nut SS	6
6	SMWI-12-024-M-3	M12 Flat Washer SS	5
7	SMBH-06-1.0-50-2-3	M6-1mm X 50mm Hex Bolt NC SS	1
8	SMBH-12-1.75-65-2-3	M12-1.75 X 65mm Hex Bolt SS	2
9	SMBH-12-1.75-30-1-3	M12-1.75 X 30 mm Hex Bolt SS 18-8	4
10	SMSP-05-020-1	5mm x 20mm Spring Pin SS G420	1
11	SISP-031-137-1	5/16" x 1-3/8" Spring Pin SS	1

IMPORTANT: Apply antisieze to all threaded stainless steel surfaces to prevent cold weld!



NOTE: The Romafa meter housing does not need a spacer between the end cap and sprocket, while the OEM JD does.